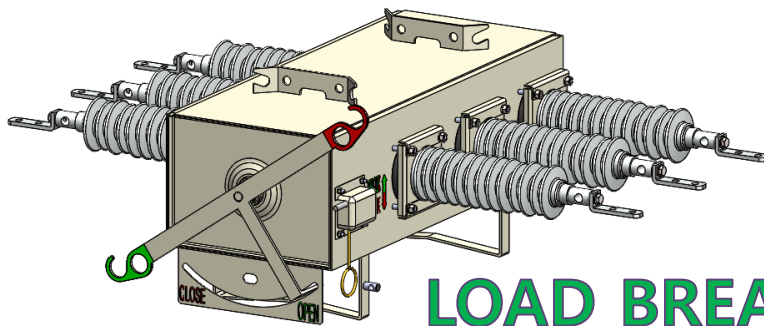


PRODUCT CATALOG



Quality stability !

Customer first !



SF₆ GAS

LOAD BREAK SWITCH



DELCOO CO., LTD.

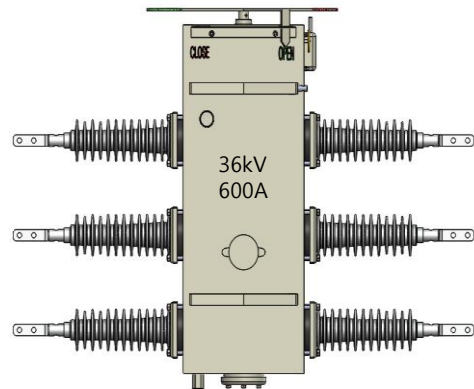
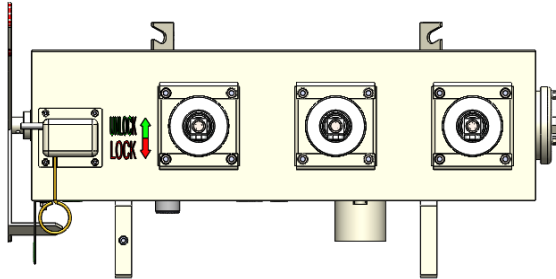
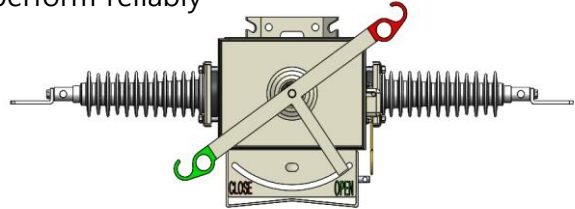
SF6 GAS Insulated Load break switch for overhead line

Introduction

- Delcoco SF6 gas insulated load break switch was produced base on many experience
- Load break switches high electrical ratings ensure operation even under heavy loading or fault conditions.
- mechanical construction that enables them to perform reliably in all weather conditions

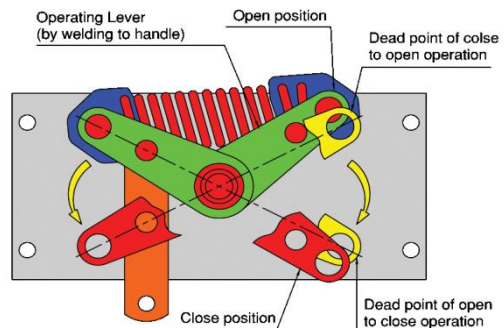
Characteristic Key point

- Wide operating temperatures range
- High number of breaking operations at rated normal current
- Compact design
- Reliable position indicator
- Puffer interrupter system
- Simple operation mechanism



Operating Mechanism

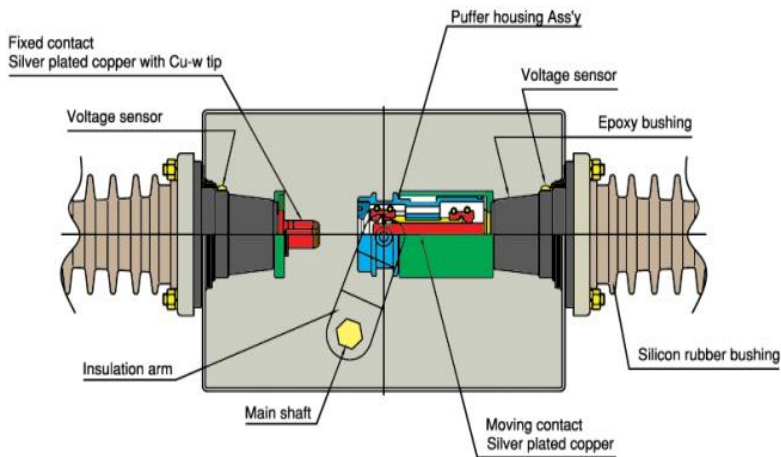
- The switching contacts are driven by an over-center spring mechanism to ensure that the operating speed is always constant, independently of the speed of the operator. The mechanism can be driven by either a manual hookstick, electric motor or ground actuator (optional)



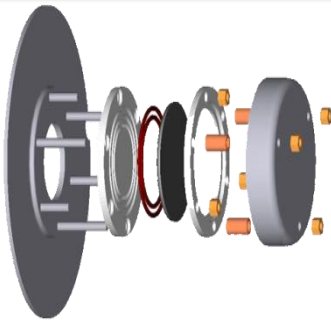
SF6 GAS Insulated Load break switch for overhead line

Switch Internal composition

- Load break switch tanks material is stainless steel and fill in SF6 GAS
- Puffer system and SF6 GAS have a brilliant arc extinction at normal current



Pressure relief device



- Relief membrane burst for safety at internal overpressure

SF6 GAS Insulated Load break switch for overhead line

Control cabinet

► Protection

Fault Detection (phase / Earth / SEF)

Cold Load Protection (Pickup Adjustment)

Broken Conductor

► Measurement

Magnitude and phase angle of voltages & currents

Sequence components of 3-Phase voltages & currents

True RMS, Harmonics and THD of voltages & currents

Active, reactive and apparent power for each phase and 3-phase

► Control

Manual LBS Open/Close at Local or Remote (Select Before Operation)

Interlocking (Gas low, Handle lock, Operator place, Sync Fail, Live Load)

Battery Test

► Status Monitoring

■ 10 Input Contacts Status

Switch Open/Closed

Mechanical Locked

Gas Pressure Low

Enclosure Door Open

Spare 5 points

► Counter

FTU Restart Count, Switch Open Count

Fault Detection Count, PQM Count

THD Count

■ Logical Status

Fault Indication

Open Line Detection

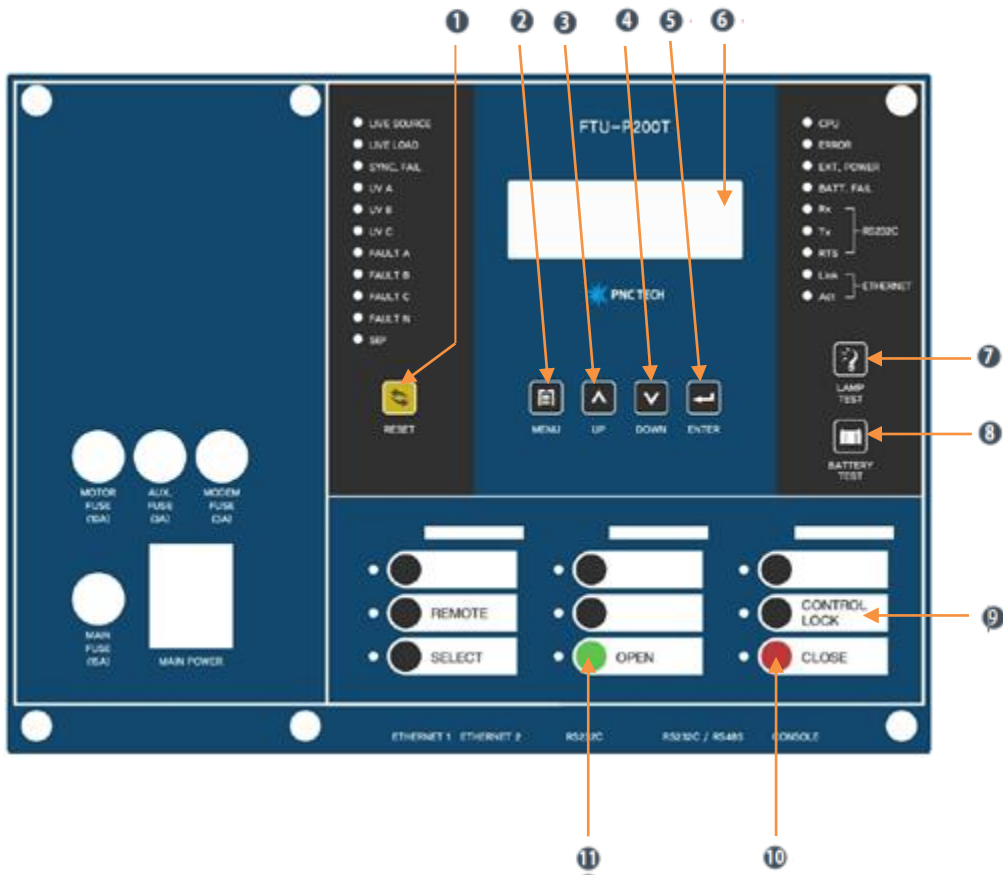
Over Voltage, Under Voltage, Under Frequency, Over Frequency

► Communication Protocols

RS232C or USB (Female Plug Type A)

SCADA : DNP3.0 , IEC60870-5-101/104

SF6 GAS Insulated Load break switch for overhead line



- | | |
|--------------------------------------|--|
| 1 RESET | 7 Lamp Test |
| 2 Menu Button | 8 Battery Rest |
| 3 Up Button | 9 Control Lock |
| 4 Down Button | 10 Close (Switch Control Command) Button & LED |
| 5 Enter (LCD Menu Operation) Button | 11 Open (Switch Control Command) Button & LED |
| 6 LCD | |

SF6 GAS Insulated Load break switch for overhead line

Ratings

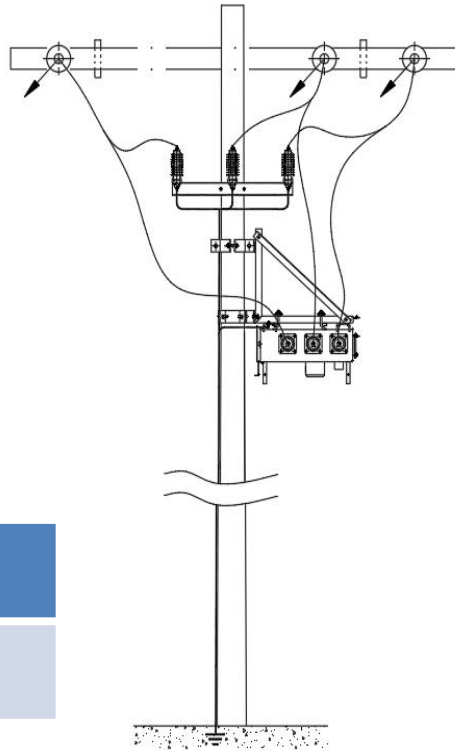
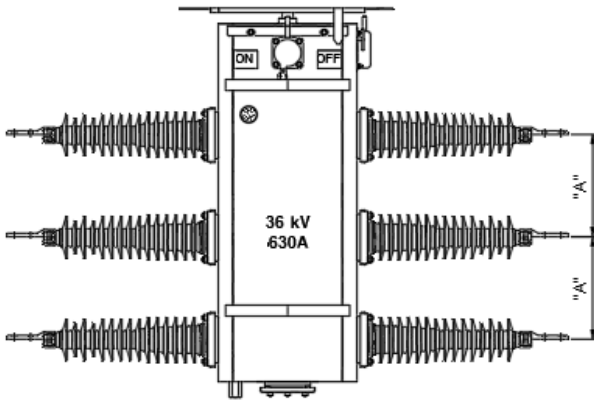
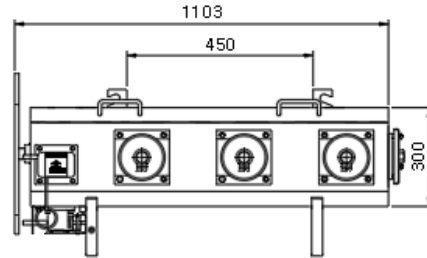
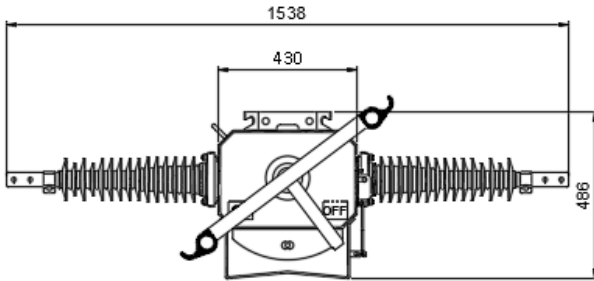
Rating		
Rated voltage	36	kV
Rated continuous current	630	A
Rated making current	40	kA _{peak}
Short time withstand current (1s)	16	kA _{rms}
Mechanical operations	5,000	times

Insulation level		
Rated lightning impulse withstand voltage	170	kV
Rated power frequency withstand voltage	70	kV /1min

Service condition		
Ambient temperature	-25 to 50	°C
Humidity	0 to 100	%
Altitude meters	3000	M

SF6 GAS Insulated Load break switch for overhead line

Dimension



구분	36kV
"A"	320

DELCOCO

301, Mado-ro, Mado-myeon, Hwaseong-si, Gyeonggi-do, 18544, Korea
www.delcoco.co.kr

