

# PRODUCT CATALOG



Quality stability !

Customer first !

**SF6 GAS INSULATED  
AUTOMATIC RECLOSER**

# SF6 GAS Insulated Automatic Circuit Recloser

## Introduction

Delcoco Automatic circuit Reclosers are designed for use on overhead distribution lines and for distribution substation 15.5kV and 27kV

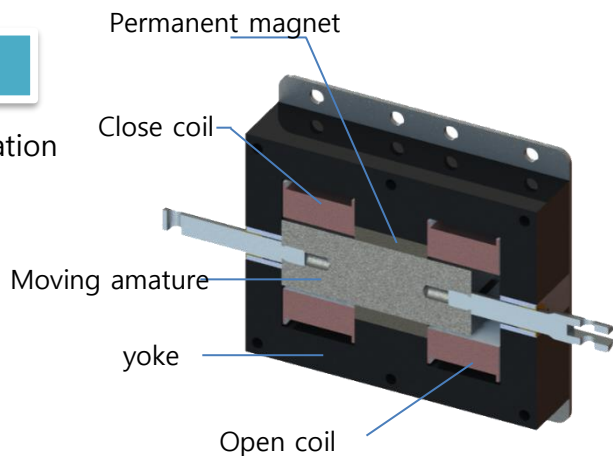
Reclosers are consisted of SF6 tank, insulation bushing and control cabinet

## Characteristic Key point

- Reduced purchase cost
- Incorporated vacuum interrupter inside tank
- maintenance low magnetic actuator
- Compact design
- Microprocess based on controller

## Permanent Magnetic Actuator

- 10,000 times Close-Open mechanical operation
- Fewer moving part and low maintenance
- Simple design
- Reliable indicator
- Fully holding force



## Enclosure

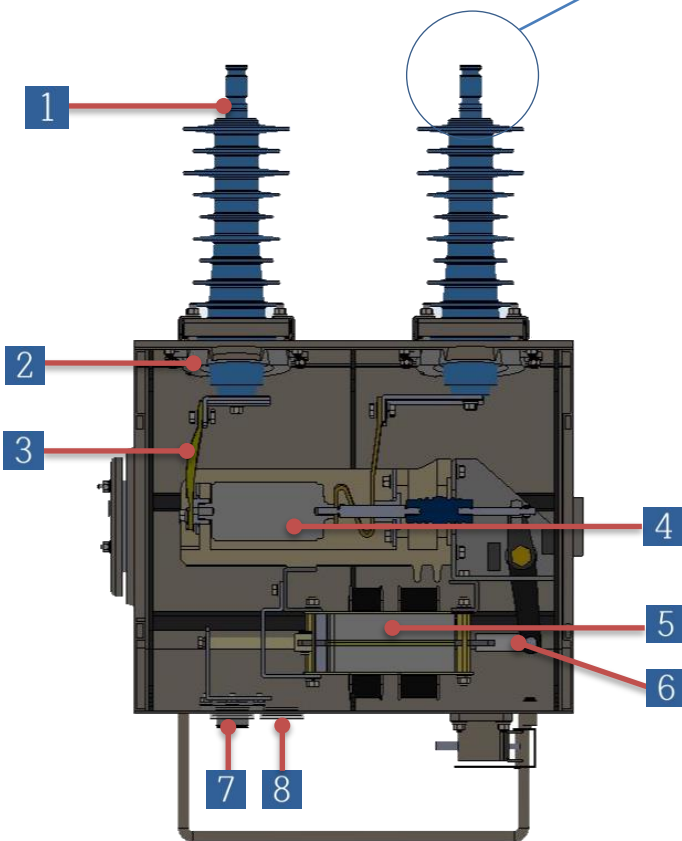
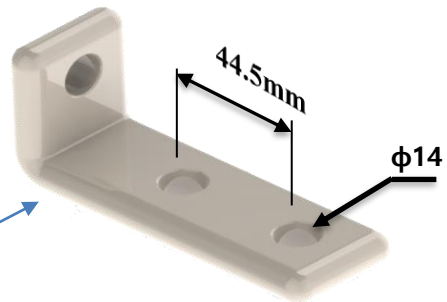
- Stainless steel enclosure to prevent corrosion in severe environment
- Receptacle for control cable connect
- Manual trip handle
- Name plate attach

# SF6 GAS Insulated Automatic Circuit Recloser

## Gas filled tank

- Removable insulator (silicon rubber)
- Stainless steel enclosure
- Strong against external impact

Standard (NEMA 2hole)



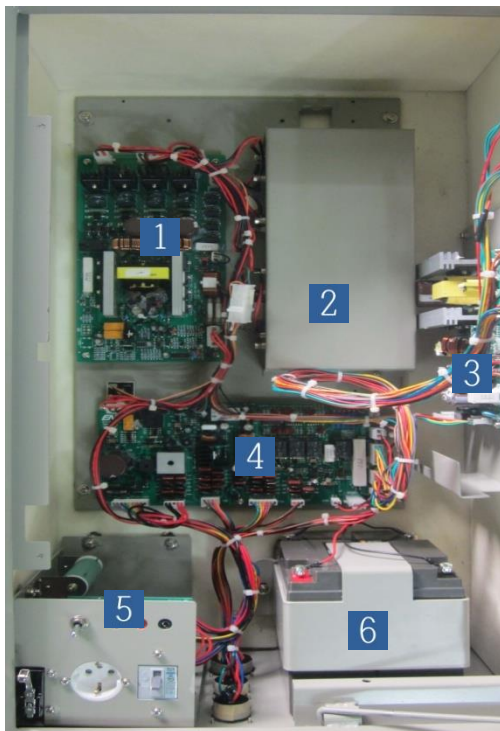
- 1 : Cable connection
- 2 : Current transformer
- 3 : Braided wire bus
- 4 : Vacuum interrupter
- 5 : Magnetic actuator
- 6 : Lockout handle mechanism
- 7 : Position indicator
- 8 : Control cable connection

Structure of Recloser

# SF6 GAS Insulated Automatic Circuit Recloser

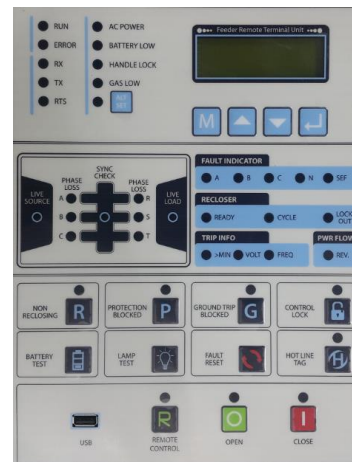
## Control Cabinet

- Protective functions
- Remote communications & I/O ports
- Metering
- Event Recording
- Microprocess digital fault relay



inside of control cabinet

- 1 : PMA control module
- 2 : Control capacitor
- 3 : Power supply and battery module
- 4 : Analog input module
- 5 : Heater and AC power input module
- 6 : Battery



# SF6 GAS Insulated Automatic Circuit Recloser

## Recloser Ratings

### Rating

Rated voltage	15.5	27	kV
Rated continuous current	630/800	630/800	A
Rated interrupting current	12.5/16	12.5/16	kArms
Short time withstand current (3s)	12.5/16	12.5/16	kArms
Mechanical operations	10,000	10,000	times

### Insulation level

Rated lightning impulse withstand voltage	110	150	kV
Rated power frequency withstand voltage	50	60	kV /1min

### Service condition

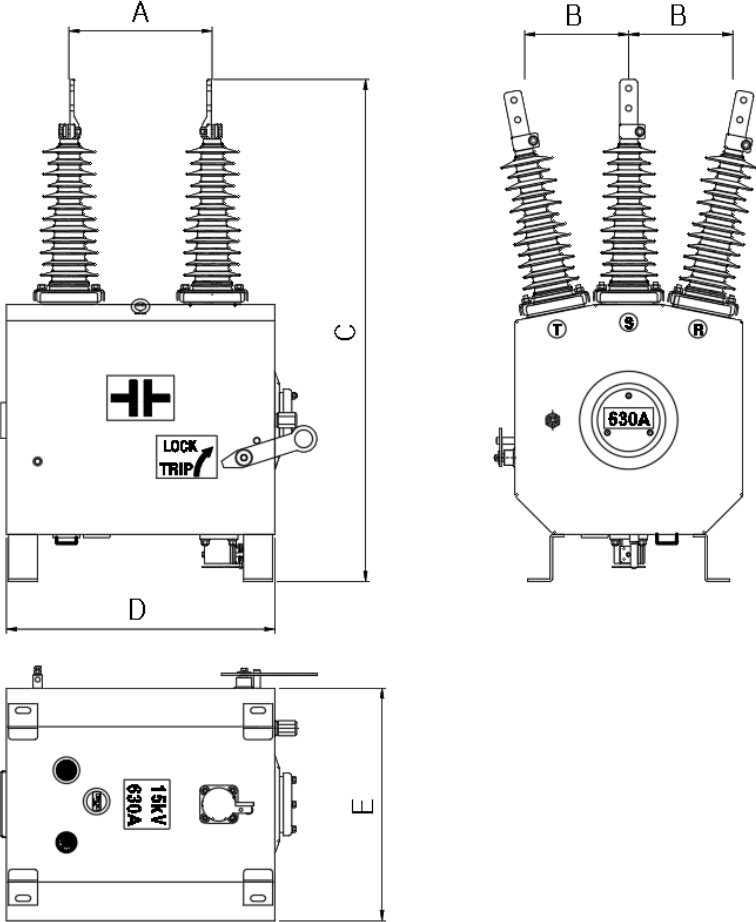
Ambient temperature	-25 to 50	°C
Humidity	0 to 100	%
Altitude meters	3000	M

### Reclosing

Reclose interval 1 <sup>st</sup>	0.3 ~ 180s (step 0.1)
Reclose interval 2 <sup>nd</sup>	1 ~ 180s (step 1)
Reclose interval 3 <sup>rd</sup>	1 ~ 180s (step 1)
Reclose interval 4 <sup>th</sup>	1 ~ 180s (step 1)
Reset time	1 ~ 180s (step 1)

# SF6 GAS Insulated Automatic Circuit Recloser

## Dimension



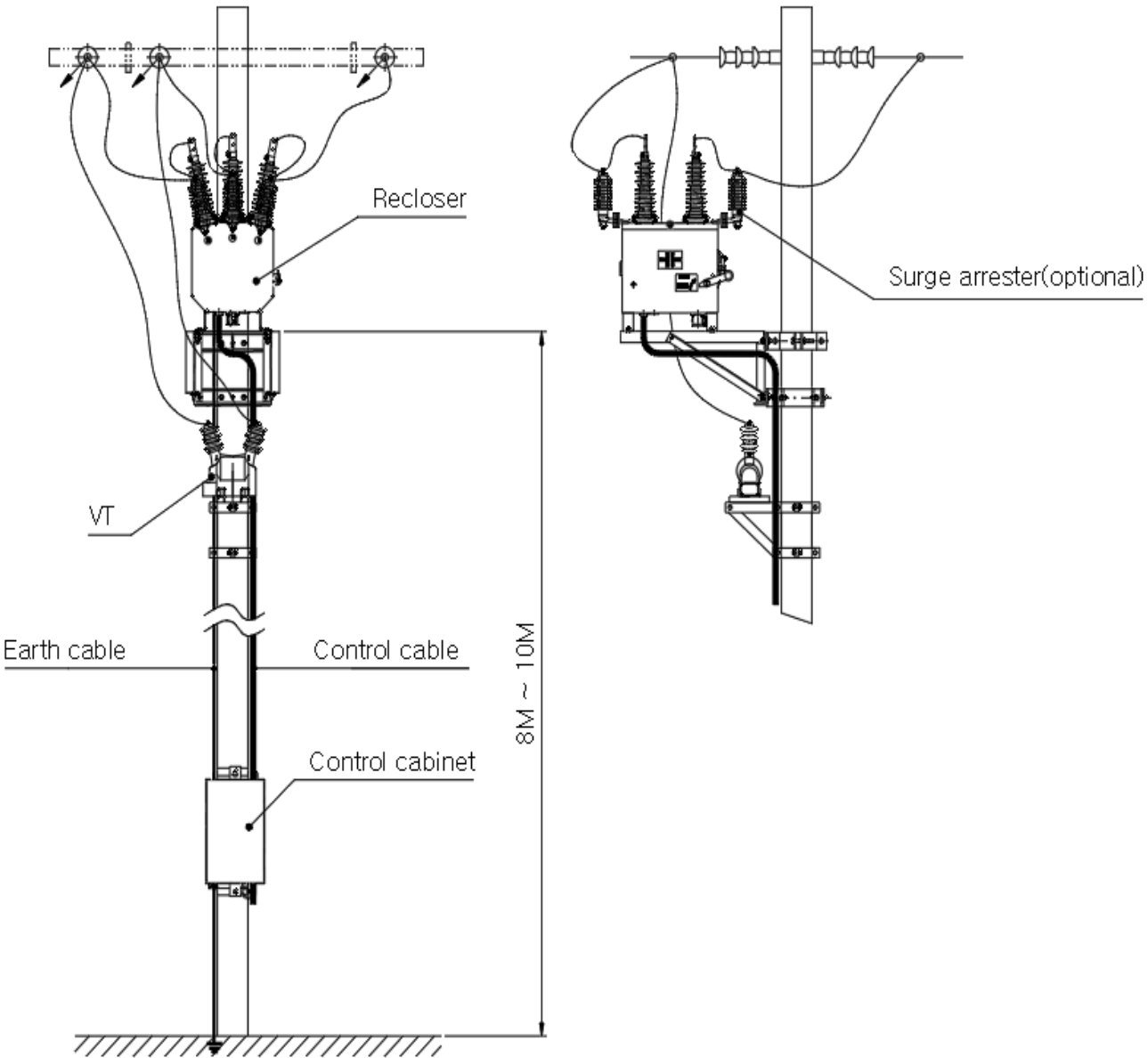
Unit : mm

	A	B	C	D	E
15.5kV	320	260	1123	600	520
27kV	320	306	1143	600	520

DELCOCCO

# SF6 GAS Insulated Automatic Circuit Recloser

## Installation



DELCOCO

301, Mado-ro, Mado-myeon, Hwaseong-si, Gyeonggi-do, 18544, Korea  
[www.delcoco.co.kr](http://www.delcoco.co.kr)

